

## Benefits<sup>1</sup>

Included with 4 Star and 4 Star Plus

### Transferability

If you sell your vehicle within your Vehicle Service Contract terms, the remaining coverage can be transferred to the new owner, enhancing the resale value.

### Roadside assistance

You will receive 24/7 assistance with lockouts, tire changes, jump starts, fluid delivery, and towing. Costs for towing assistance needed within a 50-mile radius of the repair facility are 100% covered when you call toll-free 1-866-434-4357.<sup>2</sup>

### Car rental

At least one day of car rental (up to \$40 per day) is provided for covered repairs, or repairs covered under the manufacturer's warranty.

### Trip interruption

If you are more than 100 miles away from home and your vehicle has a mechanical breakdown that is covered under your Vehicle Service Contract, we will reimburse you up to \$150 per day, up to 3 days, for required meals and lodging.

Covered component	4 Star	
	4 Star	Plus
Engine	•	•
Transmission, transaxle, and transfer case	•	•
Drive axle	•	•
Suspension	•	•
Steering	•	•
Brakes (excludes pads and rotors)	•	•
Fuel system	•	•
Cooling	•	•
Electrical	•	•
Interior climate and comfort	•	•
Hybrid electric	•	•
Seals and gaskets	•	•
Commercial use (new, non-pool vehicles only)	•	•
Power tech and electronics	◦	•
Enhanced electronics (including GPS)		•
Body hardware		•
Accessories and utility package		•
EcoMind®	◦	◦

• Included coverage ◦ Optional coverage

## Important plan information

Please see your Vehicle Service Contract for specific details

### Maintenance required to keep or transfer your Vehicle Service Contract

In order to keep your Vehicle Service Contract in force or transfer your Vehicle Service Contract, the vehicle covered must be maintained according to the manufacturer's specifications. Proof of maintenance may be required. The performance of normal maintenance services is not covered under your Vehicle Service Contract.

### Prior authorization

Prior to starting repairs, you or the repair facility must contact the administrator toll-free at 1-800-322-3933. Customers in Florida should call 1-800-247-9469. If a mechanical breakdown occurs outside the administrator's operating hours, the administrator must be contacted during the next business day. Failure to obtain a claim authorization may result in non-payment.

### Exclusions

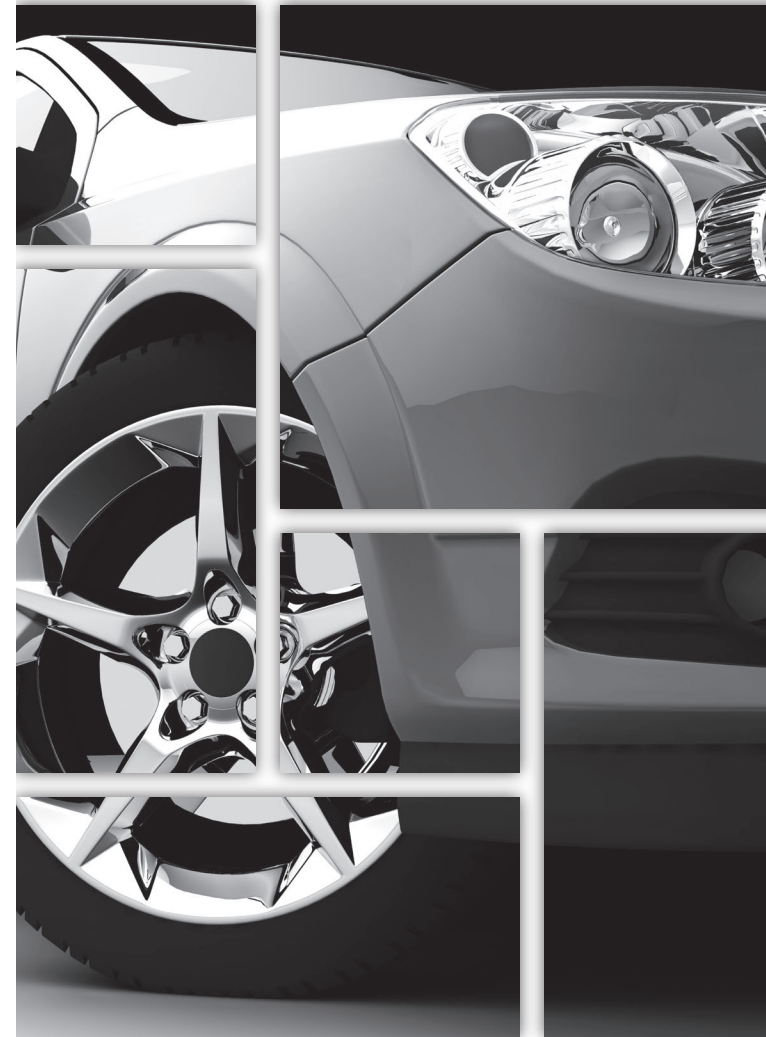
Your Vehicle Service Contract may not cover or apply to certain conditions. Please refer to the General Contract Exclusions section of your Vehicle Service Contract.

### Cancellations

You can cancel your Vehicle Service Contract at any time and receive reimbursement for the unused portion.

Vehicle Service Contracts issued by WS Aftermarket Services Corporation and administered by Warranty Solutions Management Corporation. In Florida, Wisconsin, Arizona and Alaska, issued and administered by Warranty Solutions Administrative Services, Inc. (Florida License #60079). In Louisiana, issued by AMT Warranty Corp. and administered by Warranty Solutions Management Corporation. Also issued by Heritage Mechanical Breakdown Corporation in Florida (Florida License #60072). All contracts insured by Heritage Indemnity Company (CA C of A #08549), P.O. Box 140057, Denver, CO 80214-0057. D11CM20-04 (0318)

## 4 Star | 4 Star Plus Vehicle Service Contracts



## Experience

you can rely on

With nearly 40 years in the industry, Warranty Solutions® has demonstrated strength and versatility while evolving through ever-changing market conditions. Our industry-leading reputation is a direct reflection of our product offering — quality, fully insured Vehicle Service Contracts and finance and insurance (F&I) aftermarket products and services. We continue to be a prominent force in the development of innovative products that provide flexible coverage levels at some of the most competitive price points available. Our commitment to service excellence and process efficiency is demonstrated by our team of industry experts who have an average tenure of 15 years. We have the experience on which you can rely.

We are here so you can enjoy the drive!

## We go the extra mile

so you can enjoy the drive

Driving your vehicle should be enjoyable, not stressful. With your new 4 Star or 4 Star Plus Vehicle Service Contract, you can take comfort knowing you have immediate access to roadside assistance, as well as car rental and trip interruption coverage. You can also transfer your Vehicle Service Contract if you sell your car. Our claims representatives have an average tenure of 15 years of industry experience, allowing us to provide quick and accurate claims resolution.

Also, claims can be paid directly to the repair facility. You choose the deductible level that best suits your needs, including an option to have your deductible waived when you return to your issuing dealer's repair facility for service. Deductibles apply to each repair visit.<sup>1</sup>



<sup>1</sup> Please see your Vehicle Service Contract for specific exclusions and details of benefits.

<sup>2</sup> Except California. Please see your Vehicle Service Contract for details.

## 4 Star coverage<sup>1</sup>

Major component coverage for new and preowned vehicles

### Engine

- Engine block
- Cylinder head
- Rotor housing
- Oil pan
- Valve cover
- Timing cover
- All internally lubricated parts contained within the engine
- Oil pump
- Timing chain, gears, and tensioners
- Timing belt and tensioners
- Balance belt
- Variable valve camshaft adjuster
- Intake and exhaust manifolds
- Harmonic balancer
- Engine mounts
- Water pump
- Flywheel
- Flexplate

### Transmission, transaxle, and transfer case *(Automatic and standard)*

- Case housings
- Housing covers and pans
- All internally lubricated parts contained within the housings
- Transfer case shift/encoder motor
- Torque converter
- Viscous coupling
- Vacuum modulator
- Transmission mounts
- Range position sensor/switch

### Drive axle

*(Includes transaxle and 4WD vehicles)*

- Front and rear drive axle housings and covers
- All internally lubricated parts contained within drive axle housings
- Axle shafts
- Constant velocity joints and boots
- Driveshafts
- Universal joints
- Flex discs
- Driveshaft center support bearing
- Driveshaft yokes
- 4WD engagement actuators and motors
- 4WD manual locking hubs

### Front and rear suspension

- Upper and lower control arms
- Shafts and bushings on upper and lower control arms
- Control arm thrust rods
- Control arm thrust rod bushings and links
- Ball joints
- Wheel hub and wheel bearings
- Steering knuckles and spindles
- Stabilizer bar, bushings, and links
- Coil springs
- Leaf springs, shackles, and bushings
- Torsion bar

### Steering

- Steering gear
- Rack and pinion housings, and all internally lubricated parts contained within the housings
- Power steering pump, its reservoir, pulley, and mounting bracket
- Power cylinder assembly
- Steering column shaft, its couplings and bearings
- Tie rod ends
- Pitman arm
- Idler arm and other steering linkages
- Electric power steering assist motor
- Intermediate shaft
- Metal lines

### Brakes

- Master cylinder
- Vacuum or hydro booster
- Wheel cylinders
- Calipers
- Vacuum pump
- Brake pedal assembly
- Equalizer and distributing valves
- Parking brake assembly
- Anti-lock Brake System (ABS) electronic control unit, wheel speed sensor, and exciters
- Anti-lock Brake System (ABS) proportioning control valves
- High-pressure hydraulic pump

### Fuel

- Fuel injectors and fuel pump
- Fuel sender assembly
- Waste gate
- Intercooler
- Supercharger pulley
- Fuel pressure regulator
- Fuel tank
- All turbocharger or supercharger internal parts and housings

### Electrical

- Starter motor
- Starter solenoid
- Alternator and its mounting bracket
- Voltage regulator
- Wiper motor
- Power seat motors and relays
- Power window motors and relays
- Electric driver and passenger door lock actuators
- Window washer fluid pumps
- All manually operated switches
- Wiring harnesses
- Oil pressure sending unit

### Cooling

- Radiator and radiator brackets
- Thermostat
- Cooling fan motor and relay
- Fan clutch and fan shroud
- Fan blades
- Coolant recovery tank

### Interior climate and comfort

*(Factory- or dealer-installed with factory-approved parts only)*

- Air conditioning compressor and its mounting bracket
- Compressor clutch and pulley
- Accumulator
- Receiver dryer
- Evaporator
- Condenser
- Idler pulleys and bearings
- Serpentine belt tensioner
- Expansion valve
- Orifice tube
- AC pressure switches
- Blower motor and fan
- Metal lines

### Hybrid electric vehicle

- Power inverter assembly
- Drive motor assembly
- Generator assembly
- Hybrid cooling system blower motors and pumps
- Hybrid system stator and rotor
- All hybrid system control units and sensors

### Seals and gaskets

- For all parts listed

## 4 Star Plus coverage<sup>1</sup>

All 4 Star coverages and 4 Star coverage options, plus these additional features:

### Additional suspension

- MacPherson struts
- Electronically controlled variable suspension struts and their switches
- Air suspension bags or springs
- Compressor

### Air conditioning

- Heater core
- Heater control valve
- Control cables
- Ducts
- Plenum doors
- Blower motor resistor
- Condenser cooling fan motor
- Manual climate control head

### Body hardware

- Bumper impact absorbers
- Hood and trunk latches and cables
- Hood and trunk hinges, springs, or torsion bars
- Hood and trunk hydraulic lift supports
- Door hinges
- Door handles
- Glove box lock assembly
- Ignition lock assembly
- Manual seat track assembly
- Door jamb switches

### Accessories

- Heated seat grids
- Horn and horn relay
- Rear window defogger/defroster
- Memory seat and memory steering wheel motors, switches, activators, sensors, and control module

### Utility package

- Step bumpers and their mounting brackets
- Spare tire carrier or swing arm, latch, and lock
- Swing away mirror (does not include mirror glass breakage)
- Bed liner
- Tailgate handles, locks, hinges, latches, and cables
- Tool storage boxes
- Interior storage racks
- Skid plates
- Tow and cargo tie-down hooks
- Power winch motor, its controller and wire harness
- Power winch roller
- Brush and headlight guards
- Trailer hitch receiver, insert, and plug receptacle
- Auxiliary fuel tank and switch over valve

### Enhanced electronics

*(Factory- or dealer-installed with factory-approved parts only)*

- Global Positioning System (GPS) or other navigational/motorist assistance system
- Heads up display (HUD) projector and display module
- Radio, amplifier, tape player, dash-mounted CD player, and DVD player
- Dash-mounted graphic equalizer
- Engine control modules and sensors
- Ignition coils
- Ignition distributor
- Idle Air Control (IAC) motor
- Electronic suspension control module and its sensors

### Additional fuel

- Carburetor
- Throttle body
- Throttle cable and linkage
- Accelerator pedal assembly

### Seals and gaskets

- For all parts listed

### Power tech and electronics

*(Optional with 4 Star)*

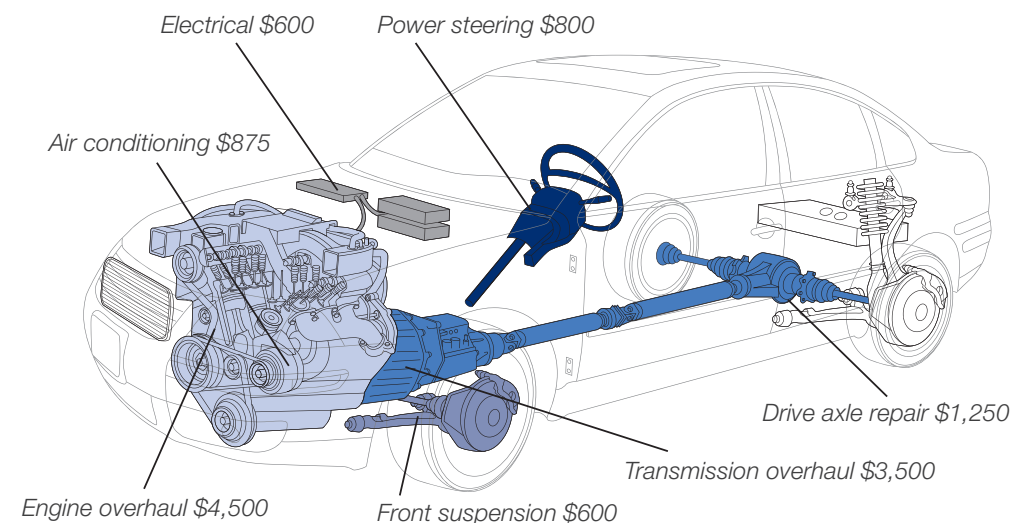
- Manual and power window regulators
- Power antenna motor and mast
- Power trunk or tailgate actuator and motor
- Power sunroof motor
- Power headlight door motors and actuators (factory-installed)
- Convertible top lift motor
- Power seat track assembly
- Power mirror motors
- Cruise control assembly
- Speedometer
- Odometer
- Fuel gauge
- Tachometer
- Volt and amp gauge
- Temperature gauge
- Transmission and transfer case control modules
- Ignition control modules
- Fuel injection control modules
- Fuel injection sensors
- Electronic air conditioning control head and module
- Factory keyless entry transmitter and receiver
- Factory-installed anti-theft devices

## Protection

that saves you money

The 4 Star and 4 Star Plus Vehicle Service Contracts offer affordable protection against costly repairs. Your coverage could cost less than paying for one moderate failure.\*

\* These costs are for demonstration purposes only and are anticipated prices after three years based on industry averages.



## Coverage options<sup>1</sup>

### EcoMind®

- Spark plug wires
- Coil to spark plug boot and connectors
- Vapor and emission canisters
- Positive crankcase ventilation valve
- Distributor cap and rotor
- Smog pump, catalytic converter, muffler, and exhaust pipes
- High voltage vehicle drive battery
- Gas cap

<sup>1</sup> For detailed coverage information, please refer to the Vehicle Service Contract.